

↕ Weldblock: EtherNet/IP I/O Block and IO-Link Master
Toughest against weld-spatter and electrical noise



Balluff's new family of machine mount network blocks are ideally suited in extremely noisy electrical environments, such as welding. These blocks are made of premium quality fiberglass reinforced composite material, designed to withstand the toughest welding environments.

With its IP67 protection rating, this network block promotes distributed modular architecture for connecting sensors, actuators or smart IO-Link devices with standard M12 sensor cables. A minimum of 16 I/O points to a maximum of 240 I/O points are possible with a single network block when combined with IO-Link I/O hubs – reducing the cost of I/O per network node.

Add-on-instructions are available for free download from the Balluff website to ease the integration of the block on Rockwell platforms.

High-end Fiberglass Reinforced Composite (Polypropylene Sulfide) Construction

- Inherently resistant to weld-spatter
- Protects against ground loops
- High tolerance to EMI

Integrated Display:

- Address setting
- Error display with color lights

Device Diagnostics LEDs:

- Network, power status
- Output overload

Integrated Webserver

- Device configuration and network setting
- IO-Link device parameterization
- Debugging and diagnostics

8 x M12 Connection Ports:

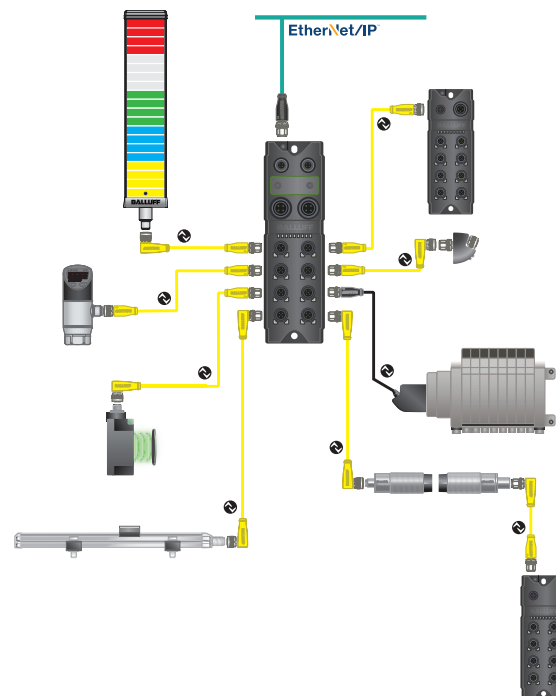
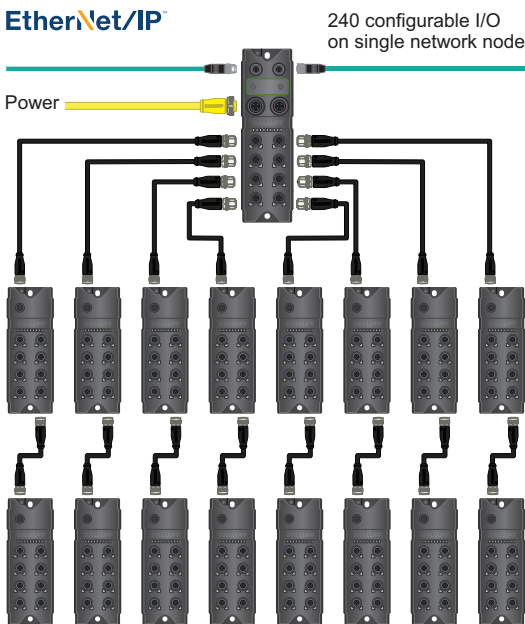
- 16 x configurable I/O in SIO mode
- 8 x IO-Link with 8 configurable I/O
- 4 x IO-Link with 12 configurable I/O

Large Port LED Indicators:

- Device connection status
- Short-circuit indication
- Actuator power

Power connection 7/8" 4-pin sensor and actuator power

Built-in switch to daisy chain EtherNet/IP devices



Weldblock Part Number	Max. Inputs	Max. Outputs	IO-Link Ports	Description
BNI008Y	16	—	—	16 input only EtherNet/IP Network block
BNI008P	16	16	—	16 configurable I/O PNP EtherNet/IP network block
BNI008Z	16	16	4	16 configurable PNP or 4x IO-Link with 12 configurable EtherNet/IP network block
BNI008M	16	16	8	16 configurable PNP or 8x IO-Link with 8 configurable EtherNet/IP network block (up to 240 Configurable I/O possible with 16 I/O hubs with expansion port)