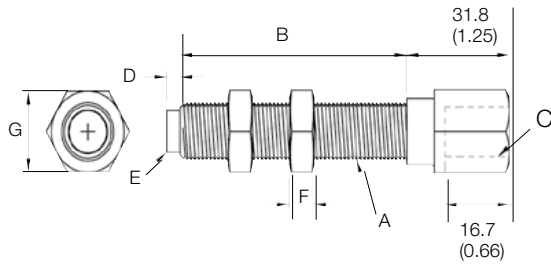


Accessories for Inductive Sensors

Banking screw actuators



Inductive sensors

Global DC 3-wire

DC 3-/4-wire

DC 2-wire

AC/DC 2-wire

AC 2-wire

Special properties

Analog distance measurement

Accessories

Pulse Extension

Sensor tester, testing and setting device

Analog switching device

Assembly aids for Uni and Unicomact sensors

Protective covering for Unicomact sensors

Protective nuts

Positive stop

Tube switch

Banking screw

Cushioned mounts

Clamping holder overview

Ordering Code	A	B	C	D	E	G
BESA 08-25-08-BANKING-SCREW	M8 X 1	25 mm	M8 X 1	3.16 mm	5.84 mm	11.0 mm
BESA 08-50-08-BANKING-SCREW	M8 X 1	50 mm	M8 X 1	3.16 mm	5.84 mm	11.0 mm
BESA 12-25-12-BANKING-SCREW	M12 X 1	25 mm	M12 X 1	4.32 mm	9.40 mm	15.7 mm
BESA 12-50-12-BANKING-SCREW	M12 X 1	50 mm	M12 X 1	4.32 mm	9.40 mm	15.7 mm
BESA 12-75-12-BANKING-SCREW	M12 X 1	75 mm	M12 X 1	4.32 mm	9.40 mm	15.7 mm
BESA 12-100-12-BANKING-SCREW	M12 X 1	100 mm	M12 X 1	4.32 mm	9.40 mm	15.7 mm
BESA 18-50-18-BANKING-SCREW	M18 X 1	50 mm	M18 X 1	4.32 mm	14.2 mm	22.1 mm
BESA 18-75-18-BANKING-SCREW	M18 X 1	75 mm	M18 X 1	4.32 mm	14.2 mm	22.1 mm
BESA 18-100-18-BANKING-SCREW	M18 X 1	100 mm	M18 X 1	4.32 mm	14.2 mm	22.1 mm

Features:

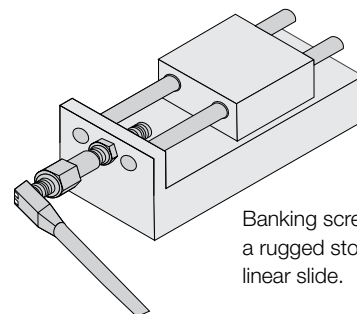
Banking screw actuators are heat treated alloy steel that will accept any standard (1x) M8, M12 or M18 shielded sensor. Not intended for use with extended range models.

Benefits:

- Solid state output with no mechanical contact with sensor.
- Isolates sensor from impact.
- Allows for positive mechanical contact to plunge without physical contact to sensor.

Construction & Operation

Both the screw and piston are heat-treated to withstand heavy use. A connecting rod ties the spring-loaded piston to the target, which triggers the sensor when the piston is displaced. The sensor is isolated from impact and separated from the target with a plastic bushing.



Banking screw used as a rugged stop for a linear slide.

